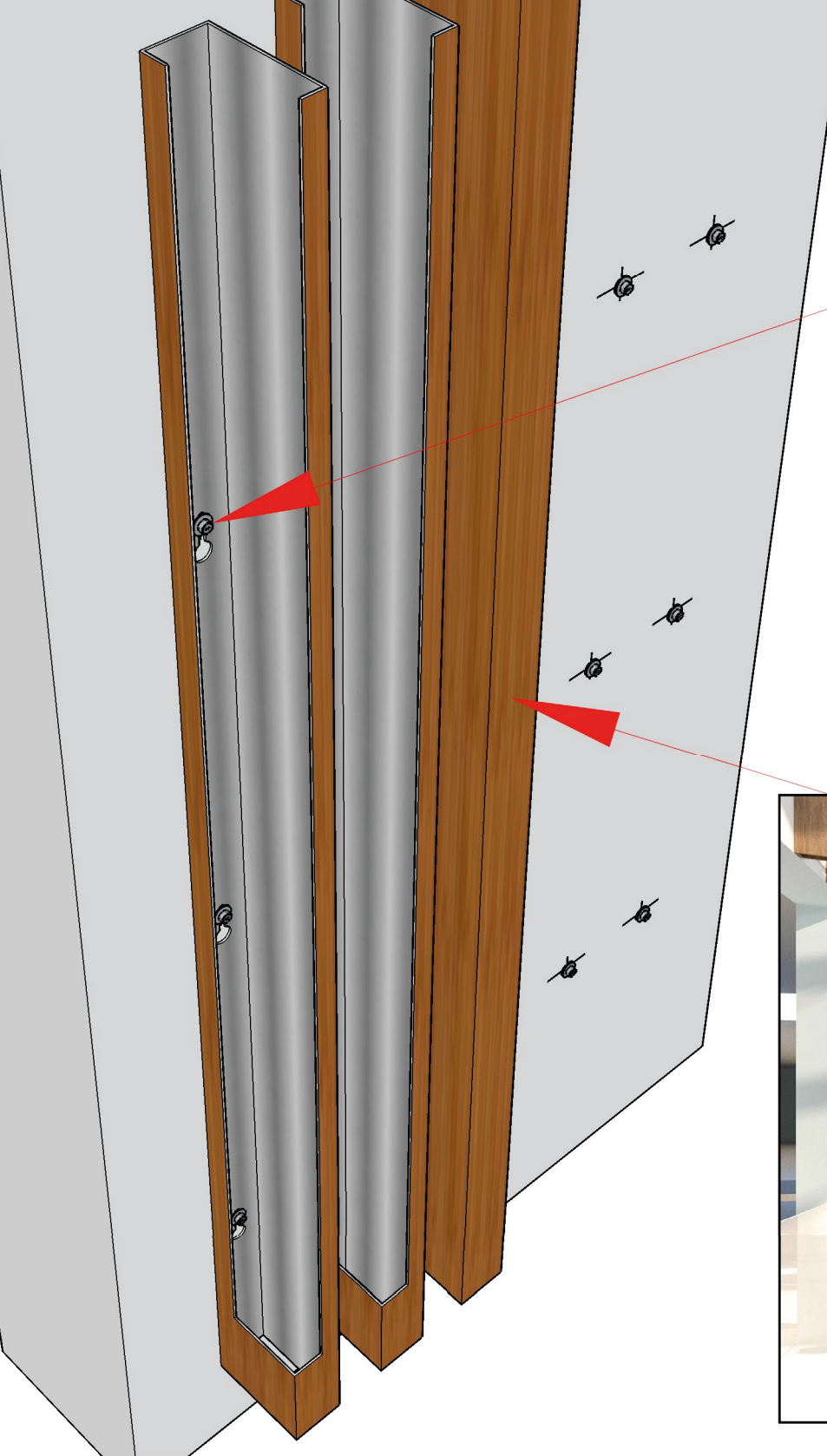


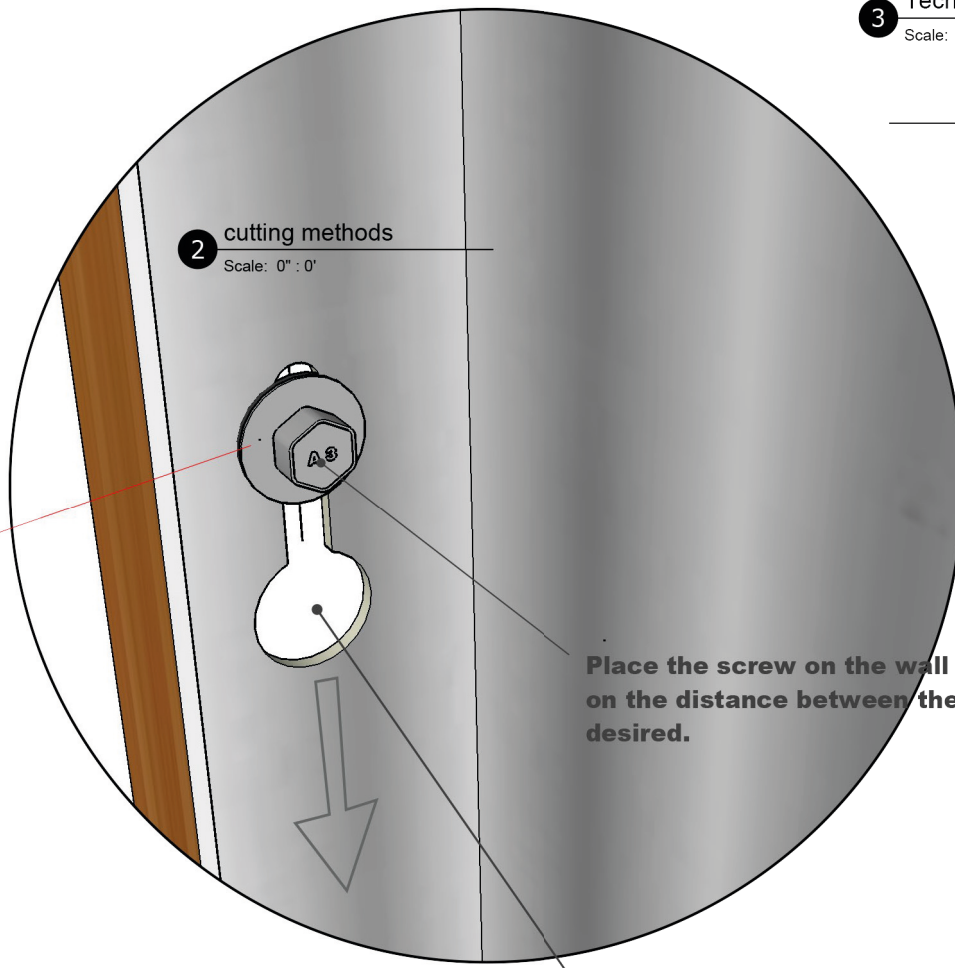
techn@wood  
DESIGN ARCHITECTURE SYSTEMS

WHOOD  
BY RETHINK

**1** 3D SPOT LIGHT  
Scale: 0" : 0'



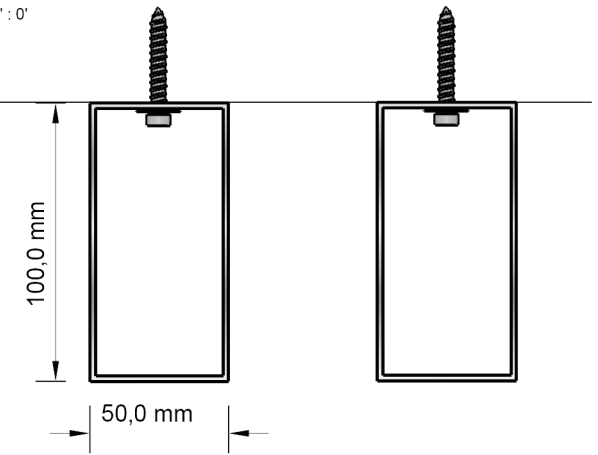
**2** cutting methods  
Scale: 0" : 0'



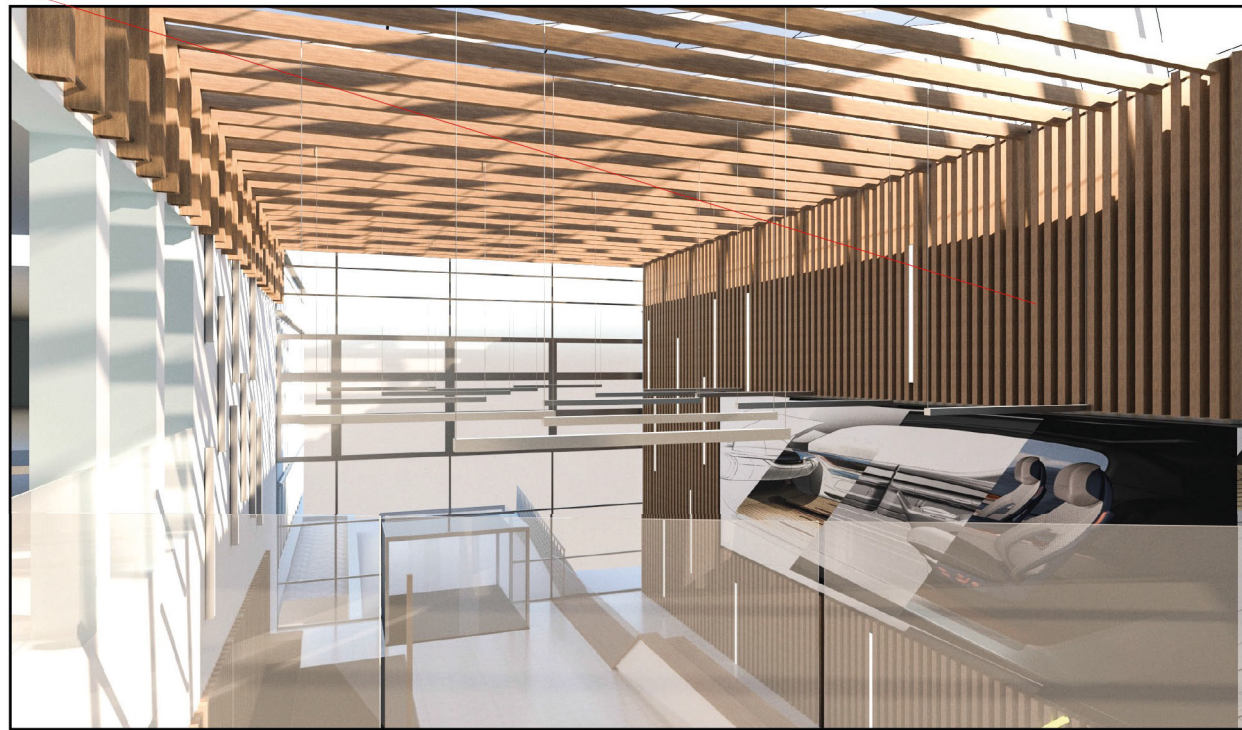
Place the screw on the wall depending on the distance between the Louvre as desired.

Special Cutting Method For Installation

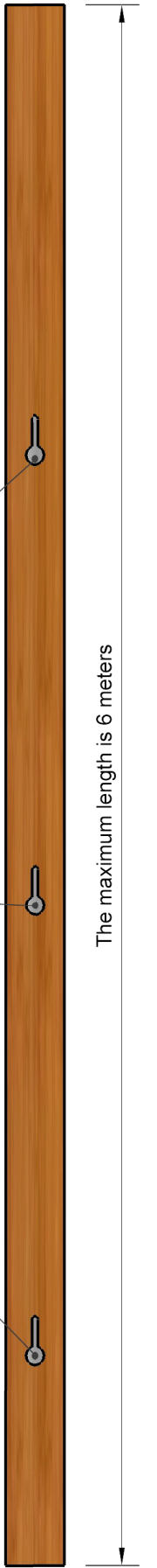
**3** Technowood Aluminium Profile 100x50x2 mm  
Scale: 0" : 0'



The maximum length is 6 meters



**4** Profile Description  
Scale: 0" : 0'





If the length is more than 6 meters, we prefer to use GRP profile if the length up to 10 meters. But must be supported with the ceiling according to the design of the project. .



**Technowood Showroom**

scale: 1"=1'

A  
01

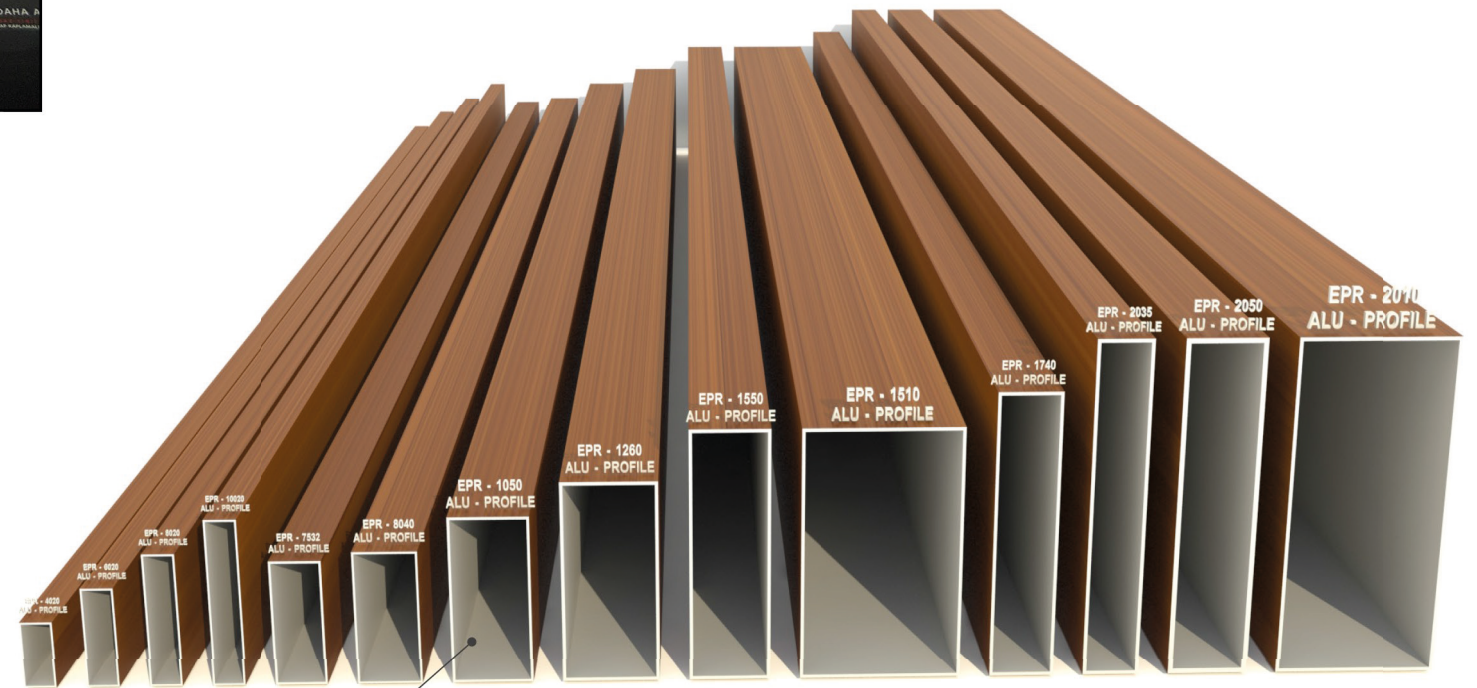


we can use this kind of profile for louvers that matching with wall directly and all vertical louver connecting with ceiling louver by hidden PVC solid pieces .



**6 GRP RECTANGULAR PROFILES NATURAL WOOD COATED**

Scale: 0" : 0'



**5 ALUMINIUM RECTANGULAR PROFILES NATURAL WOOD COATED**

Scale: 0" : 0'





Exclusive Distributor  
Grupo Rethink  
Centro Empresarial Sintra Estoril  
VIII, Arm. O  
Linhó  
2710-335 Sintra  
Portugal  
Tel: +351 219 245 874  
Email: [sales@rethink.pt](mailto:sales@rethink.pt)

**techn@wood**  
DESIGN ARCHITECTURE SYSTEMS

---